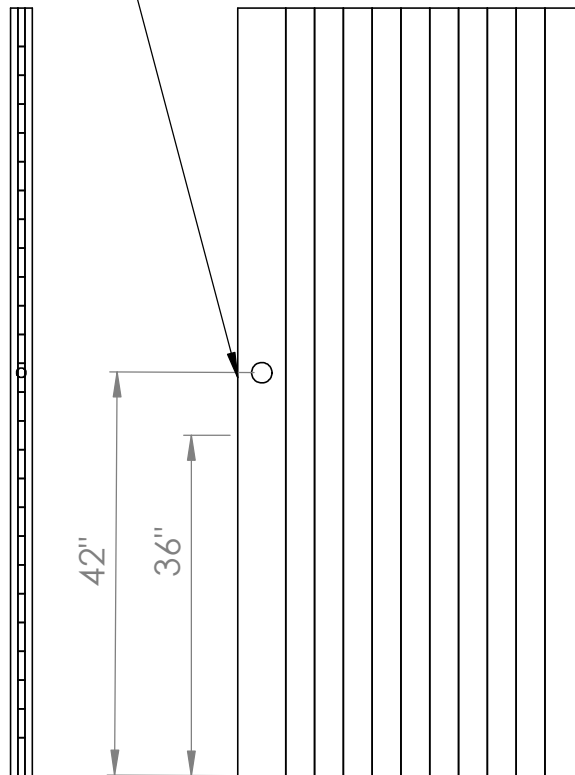


2

1

DOOR HANDLE AND DEADBOLT HEIGHT LOCATION



USE JIG FOR SOSS  
 INVISIBLE  
 HINGE MODEL 218 4  
 HINGES  
 USED CENTER OF HINGE  
 IS 6" FROM TOP OR  
 BOTTOM  
 OF DOOR 2 HINGES  
 EQUALITY  
 SPACED BETWEEN TOP  
 AND BOTTOM

SECONDARY HINGE  
 SPECIFICATION  
 COMMERCIAL GRADE  
 SELF CLOSING  
 INDICATIVE CRL 4" X 4"  
 DULL NICKEL  
 HEAVY DUTY SPRING  
 HINGE FINISH  
 SHOULD MATCH LATCH

OPTIONS  
 PEEPHOLE  
 DOOR KNOCKER  
 WOOD ROSETTE  
 ROUTER INCISED DESIGN  
 WOOD OR STONE INLAY

B

B

A

A

		UNLESS OTHERWISE SPECIFIED:		NAME	DATE
		DIMENSIONS ARE IN INCHES	DRAWN	AG	AUG 29/18
		TOLERANCES:	CHECKED		
		FRACTIONAL ±	ENG APPR.		
		ANGULAR: MACH ± BEND ±	MFG APPR.		
		TWO PLACE DECIMAL ±	Q.A.		
		THREE PLACE DECIMAL ±	<b>Art Gzebowski</b> Certified Machine Draftsman Engineering Designer T 204.396.2211 arthurisk@gmail.com <b>3D CAD MODELING BY ART</b> user of Solidworks <a href="http://www.3dmodelingbyart.com">www.3dmodelingbyart.com</a>		
		INTERPRET GEOMETRIC TOLERANCING PER:			
		MATERIAL			
		FINISH			
NEXT ASSY	USED ON				
APPLICATION		DO NOT SCALE DRAWING			

BOKE CONSULTING

TITLE:  
 CROSS LAMINATED TIMBER DOOR  
 HINGE, DEADBOLT, AND DOOR  
 HANDLE LOCATION

**PROPRIETARY AND CONFIDENTIAL**  
 THE INFORMATION CONTAINED IN THIS  
 DRAWING IS THE SOLE PROPERTY OF  
 <BOKE CONSULTING>. ANY  
 REPRODUCTION IN PART OR AS A WHOLE  
 WITHOUT THE WRITTEN PERMISSION OF  
 <BOKE CONSULTING> IS  
 PROHIBITED.

SIZE DWG. NO. REV  
**A** AG00700-S1\_ASM

SCALE: 1:20 SHEET 8A OF 8

2

1

2

1

B

B

ITEM NO.	PART NUMBER	DESCRIPTION	QTY.
1	A000132-S	3/4" X 4-1/2" X 80" 4-1/2 STILE	2
2	A000133-S	3/4" X 4" X 80" 4" STILE	1
3	A000134-S	3/4" X 5" X 80" 5" STILE	1
4	A000135-S	3/4" X 3" X 80" OUTSIDE / INSIDE PANEL BOARDS	18
5	A000136-S	3/4" X 3" X 36" 3" CENTER PANEL BOARDS	24
6	A000137-S	3/4" X 4" X 36" 4" CENTER PANEL BOARDS	2

A

A

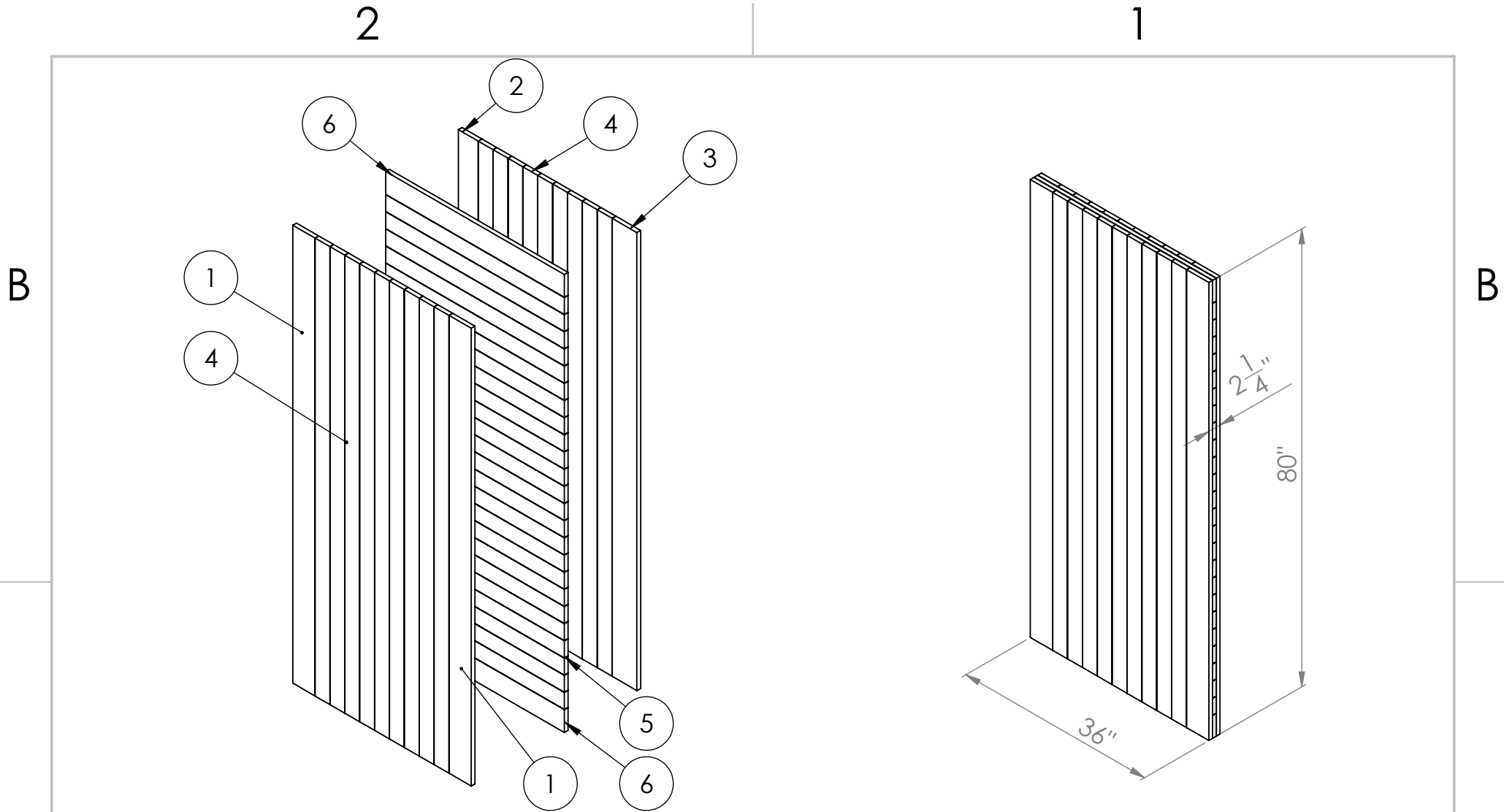
**PROPRIETARY AND CONFIDENTIAL**  
 THE INFORMATION CONTAINED IN THIS  
 DRAWING IS THE SOLE PROPERTY OF  
 <BOKE CONSULTING>. ANY  
 REPRODUCTION IN PART OR AS A WHOLE  
 WITHOUT THE WRITTEN PERMISSION OF  
 <BOKE CONSULTING> IS  
 PROHIBITED.

		UNLESS OTHERWISE SPECIFIED:	NAME	DATE
		DIMENSIONS ARE IN INCHES TOLERANCES: FRACTIONAL ± ANGULAR: MACH ± BEND ± TWO PLACE DECIMAL ± THREE PLACE DECIMAL ±	DRAWN	AG
			CHECKED	
			ENG APPR.	
			MFG APPR.	
		INTERPRET GEOMETRIC TOLERANCING PER:	Q.A.	
			COMMENTS:	
NEXT ASSY	USED ON			
APPLICATION		DO NOT SCALE DRAWING		

<b>BOKE CONSULTING</b>		
TITLE: CROSS LAMINATE TIMBER DOOR BILL OF MATERIALS		
SIZE	DWG. NO.	REV
<b>A</b>	AG000700-S_asm	
SCALE: 1:20	WEIGHT:	SHEET 2 OF 8

2

1



A

A

**PROPRIETARY AND CONFIDENTIAL**  
 THE INFORMATION CONTAINED IN THIS DRAWING IS THE SOLE PROPERTY OF <BOKE CONSULTING>. ANY REPRODUCTION IN PART OR AS A WHOLE WITHOUT THE WRITTEN PERMISSION OF <BOKE CONSULTING> IS PROHIBITED.

		UNLESS OTHERWISE SPECIFIED:		NAME	DATE
		DIMENSIONS ARE IN INCHES TOLERANCES: FRACTIONAL ± 1/32" ANGULAR: MACH ±    BEND ± TWO PLACE DECIMAL ± THREE PLACE DECIMAL ±	DRAWN	AG	AUG 23/18
		INTERPRET GEOMETRIC TOLERANCING PER:	CHECKED		
		MATERIAL BOREAL FOREST PINE / SPRUCE	ENG APPR.		
NEXT ASSY	USED ON	FINISH SAND TO 180 GRIT READY FOR PAINT	MFG APPR.		
APPLICATION		DO NOT SCALE DRAWING	Q.A.		
			<b>Art Gzebowski</b> Certified Machine Draftsman Engineering Designer T 204 396 2211 arthuriskid@gmail.com <b>3D CAD MODELING BY ART</b> user of Solidworks <a href="http://www.3dmodelingbyart.com">www.3dmodelingbyart.com</a>		

**BOKE CONSULTING**

TITLE:  
 CROSS LAMINATED TIMBER DOOR  
 ASSY. DETAIL

SIZE	DWG. NO.	REV
<b>A</b>	AG000700-S_asm	
SCALE: 1:20	WEIGHT:	SHEET 1 OF 8

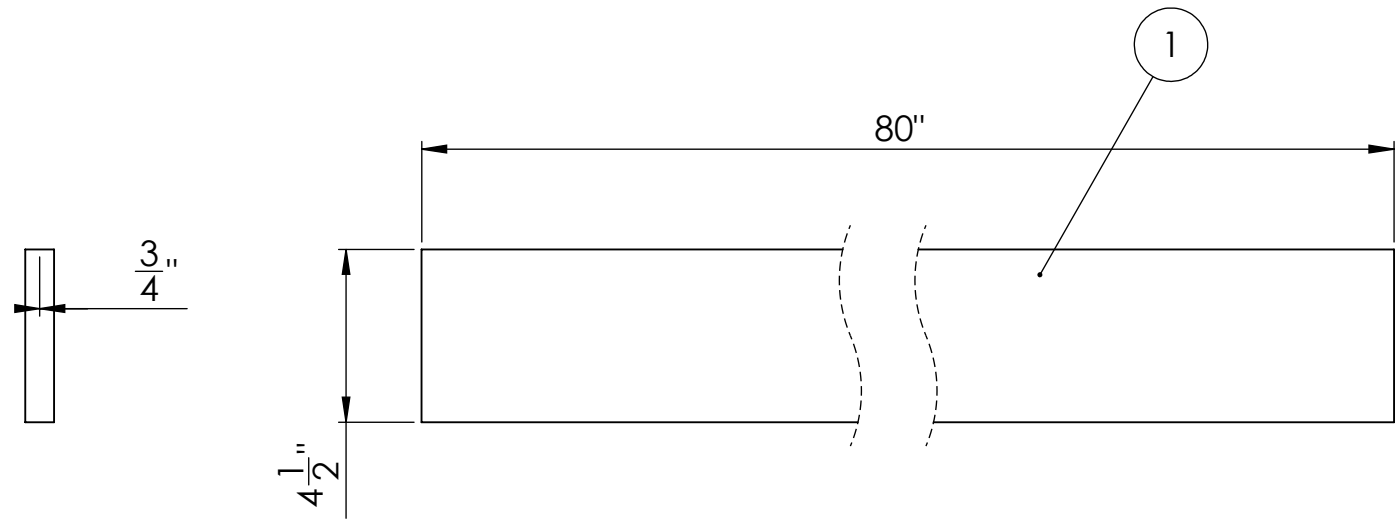
2

1

2 1

B

B



2 PCS. REQ.

A

A

**PROPRIETARY AND CONFIDENTIAL**  
 THE INFORMATION CONTAINED IN THIS DRAWING IS THE SOLE PROPERTY OF <BOKE CONSULTING>. ANY REPRODUCTION IN PART OR AS A WHOLE WITHOUT THE WRITTEN PERMISSION OF <BOKE CONSULTING> IS PROHIBITED.

		UNLESS OTHERWISE SPECIFIED:		NAME	DATE
		DIMENSIONS ARE IN INCHES	DRAWN	AG	AUG 23/18
		TOLERANCES:	CHECKED		
		FRACTIONAL ± 1/32"	ENG APPR.		
		ANGULAR: MACH ± BEND ±	MFG APPR.		
		TWO PLACE DECIMAL ±	Q.A.		
		THREE PLACE DECIMAL ±	COMMENTS:		
		INTERPRET GEOMETRIC TOLERANCING PER:			
		MATERIAL			
		BOREAL FOREST PINE / SPRUCE			
	NEXT ASSY	USED ON			
		FINISH			
		SAND TO 180 GRIT			
APPLICATION		DO NOT SCALE DRAWING			

**BOKE CONSULTING**  
 TITLE:  
 CROSS LAMINATED TIMBER DOOR  
 4-1/2 IN STILE

SIZE	DWG. NO.	REV
<b>A</b>	<b>A000132-S</b>	
SCALE: 1:5	WEIGHT:	SHEET 3 OF 8

2

1

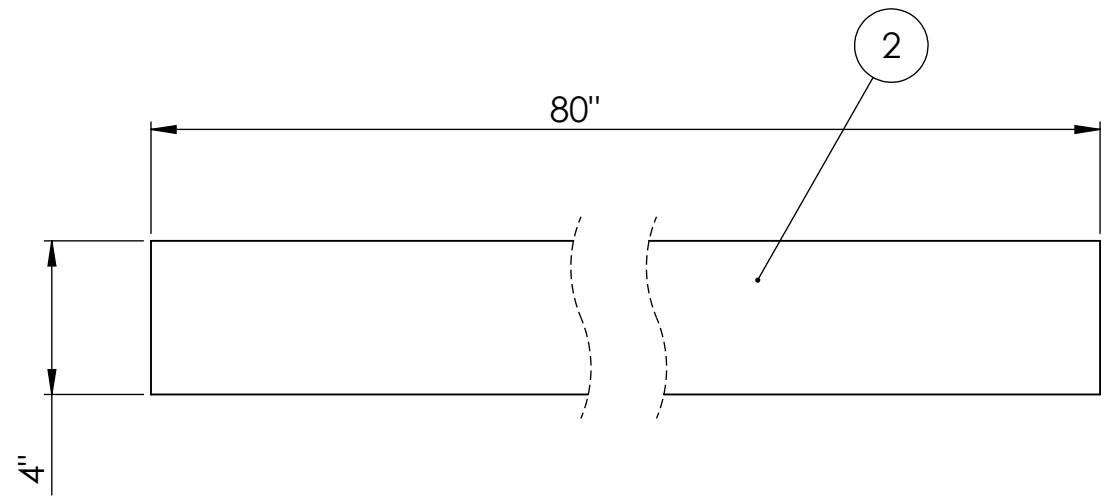
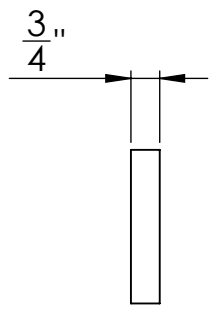
2 1

B

B

A

A



1 PCS.REQ.

**PROPRIETARY AND CONFIDENTIAL**  
 THE INFORMATION CONTAINED IN THIS DRAWING IS THE SOLE PROPERTY OF <BOKE CONSULTING>. ANY REPRODUCTION IN PART OR AS A WHOLE WITHOUT THE WRITTEN PERMISSION OF <BOKE CONSULTING> IS PROHIBITED.

		UNLESS OTHERWISE SPECIFIED:		NAME	DATE
		DIMENSIONS ARE IN INCHES	DRAWN	AG	AUG 23/18
		TOLERANCES:	CHECKED		
		FRACTIONAL ± 1/32"	ENG APPR.		
		ANGULAR: MACH ± BEND ±	MFG APPR.		
		TWO PLACE DECIMAL ±	Q.A.		
		THREE PLACE DECIMAL ±	COMMENTS:		
		INTERPRET GEOMETRIC TOLERANCING PER:			
		MATERIAL			
		BOREAL FOREST PINE / SPRUCE			
NEXT ASSY	USED ON	FINISH			
		SAND TO 180 GRIT			
APPLICATION		DO NOT SCALE DRAWING			

<b>BOKE CONSULTING</b>		
TITLE: CROSS LAMINATED TIMBER DOOR 4" STILE		
SIZE	DWG. NO.	REV
<b>A</b>	<b>A000133-S</b>	
SCALE: 1:5	WEIGHT:	SHEET 4 OF 8

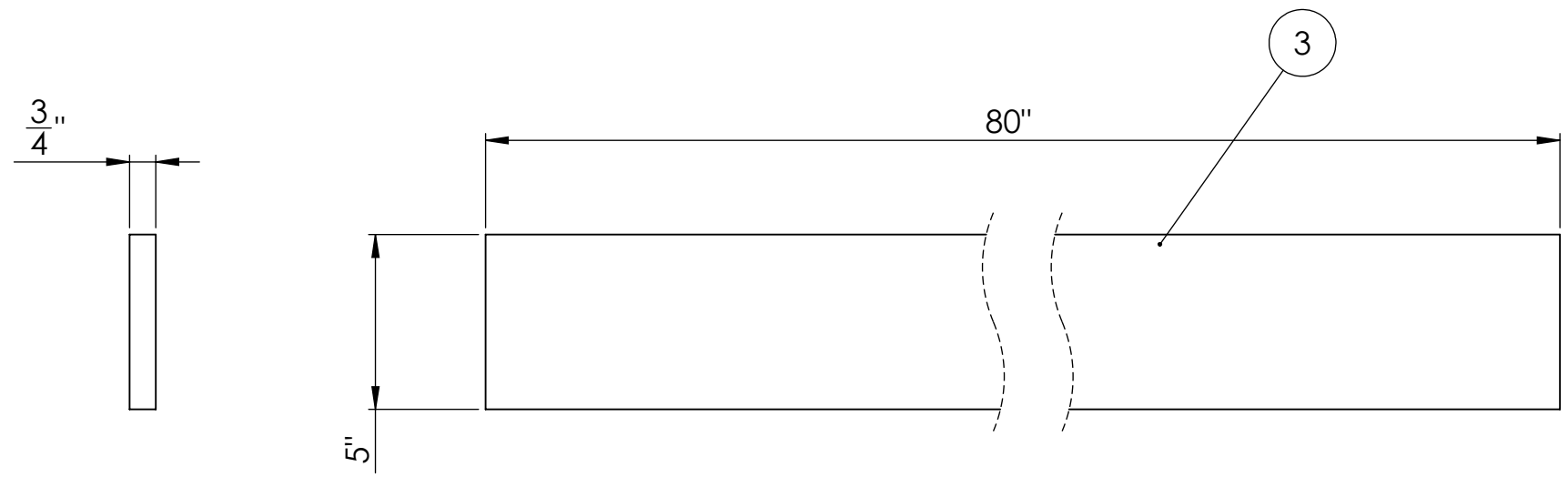
2

1

2 1

B

B



1 PCS. REQ.

A

A

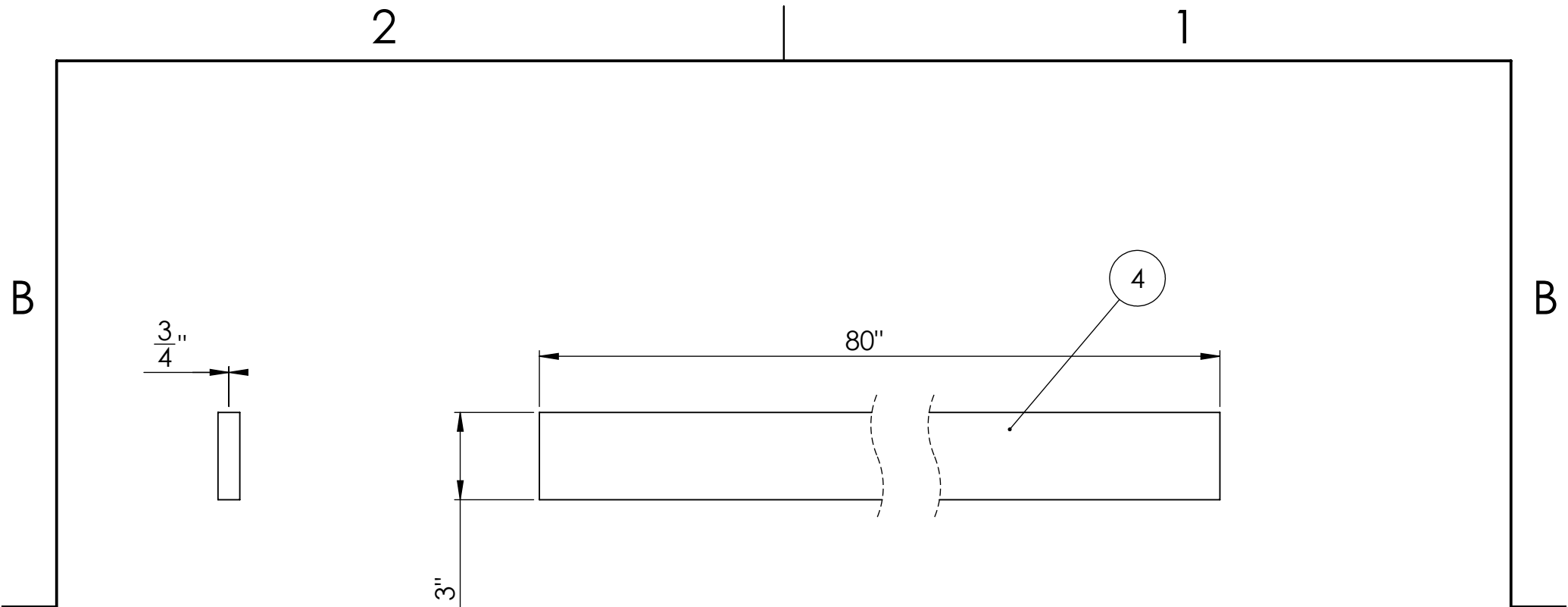
**PROPRIETARY AND CONFIDENTIAL**  
 THE INFORMATION CONTAINED IN THIS DRAWING IS THE SOLE PROPERTY OF <BOKE CONSULTING>. ANY REPRODUCTION IN PART OR AS A WHOLE WITHOUT THE WRITTEN PERMISSION OF <BOKE CONSULTING> IS PROHIBITED.

		UNLESS OTHERWISE SPECIFIED:		NAME	DATE
		DIMENSIONS ARE IN INCHES	DRAWN	AG	AUG 23/18
		TOLERANCES:	CHECKED		
		FRACTIONAL ± 1/32"	ENG APPR.		
		ANGULAR: MACH ± BEND ±	MFG APPR.		
		TWO PLACE DECIMAL ±	Q.A.		
		THREE PLACE DECIMAL ±	COMMENTS:		
		INTERPRET GEOMETRIC TOLERANCING PER:			
		MATERIAL			
		BOREAL FOREST PINE / SPRUCE			
	NEXT ASSY	USED ON			
		FINISH			
		SAND TO 180 GRIT			
APPLICATION		DO NOT SCALE DRAWING			

<b>BOKE CONSULTING</b>		
TITLE: CROSS LAMINATED TIMBER DOOR 5" STILE		
SIZE	DWG. NO.	REV
<b>A</b>	<b>A000134-S</b>	
SCALE: 1:5	WEIGHT:	SHEET 5 OF 8

2

1

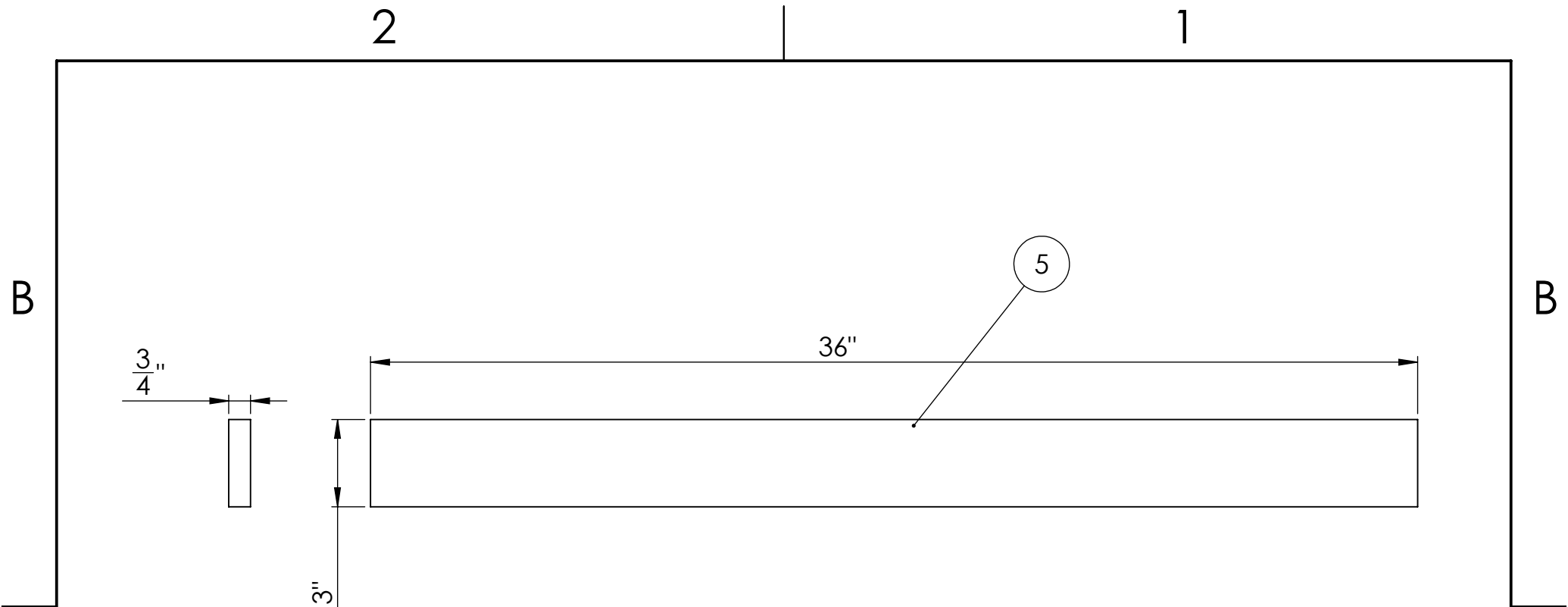


18 PCS. REQ.

**PROPRIETARY AND CONFIDENTIAL**  
 THE INFORMATION CONTAINED IN THIS DRAWING IS THE SOLE PROPERTY OF <BOKE CONSULTING>. ANY REPRODUCTION IN PART OR AS A WHOLE WITHOUT THE WRITTEN PERMISSION OF <BOKE CONSULTING> IS PROHIBITED.

		UNLESS OTHERWISE SPECIFIED:		NAME	DATE
		DIMENSIONS ARE IN INCHES	DRAWN	AG	AUG 23/18
		TOLERANCES:	CHECKED		
		FRACTIONAL ± 1/32"	ENG APPR.		
		ANGULAR: MACH ± BEND ±	MFG APPR.		
		TWO PLACE DECIMAL ±	Q.A.		
		THREE PLACE DECIMAL ±	COMMENTS:		
		INTERPRET GEOMETRIC TOLERANCING PER:			
		MATERIAL			
		BOREAL FOREST PINE / SPRUCE			
NEXT ASSY	USED ON	FINISH			
		SAND TO 180 GRIT			
APPLICATION		DO NOT SCALE DRAWING			

<b>BOKE CONSULTING</b>		
TITLE: CROSS LAMINATED TIMBER DOOR OUTSIDE INSIDE PANEL BOARD		
SIZE	DWG. NO.	REV
<b>A</b>	<b>A000135-S</b>	
SCALE: 1:5	WEIGHT:	SHEET 6 OF 8



24 PCS. REQ.

A

A

		UNLESS OTHERWISE SPECIFIED:		NAME	DATE
		DIMENSIONS ARE IN INCHES	DRAWN	AG	AUG 23/18
		TOLERANCES:	CHECKED		
		FRACTIONAL ± 1/32"	ENG APPR.		
		ANGULAR: MACH ± BEND ±	MFG APPR.		
		TWO PLACE DECIMAL ±	Q.A.		
		THREE PLACE DECIMAL ±	COMMENTS:		
		INTERPRET GEOMETRIC TOLERANCING PER:			
		MATERIAL			
		BOREAL FOREST PINE / SPRUCE			
	NEXT ASSY	USED ON			
		FINISH			
		SAND TO 180 GRIT			
	APPLICATION				
		DO NOT SCALE DRAWING			

**BOKE CONSULTING**  
 TITLE:  
 CROSS LAMINATED TIMBER DOOR  
 3" CENTER PANEL BOARD

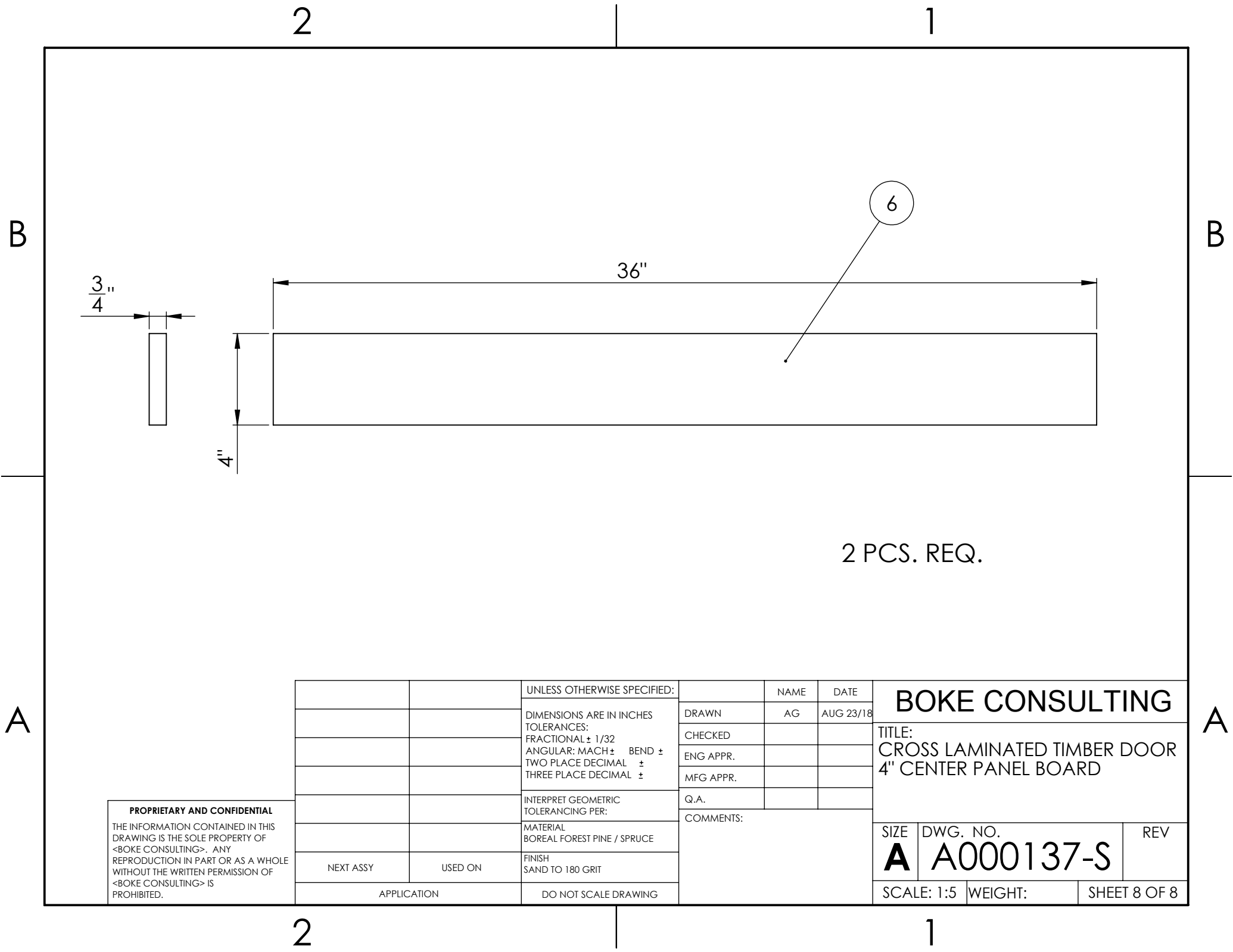
**PROPRIETARY AND CONFIDENTIAL**  
 THE INFORMATION CONTAINED IN THIS DRAWING IS THE SOLE PROPERTY OF <BOKE CONSULTING>. ANY REPRODUCTION IN PART OR AS A WHOLE WITHOUT THE WRITTEN PERMISSION OF <BOKE CONSULTING> IS PROHIBITED.

SIZE	DWG. NO.	REV
<b>A</b>	<b>A000136-S</b>	
SCALE: 1:5	WEIGHT:	SHEET 7 OF 8

2

1





2 PCS. REQ.

**PROPRIETARY AND CONFIDENTIAL**  
 THE INFORMATION CONTAINED IN THIS DRAWING IS THE SOLE PROPERTY OF <BOKE CONSULTING>. ANY REPRODUCTION IN PART OR AS A WHOLE WITHOUT THE WRITTEN PERMISSION OF <BOKE CONSULTING> IS PROHIBITED.

		UNLESS OTHERWISE SPECIFIED:		NAME	DATE
		DIMENSIONS ARE IN INCHES	DRAWN	AG	AUG 23/18
		TOLERANCES:	CHECKED		
		FRACTIONAL ± 1/32	ENG APPR.		
		ANGULAR: MACH ± BEND ±	MFG APPR.		
		TWO PLACE DECIMAL ±	Q.A.		
		THREE PLACE DECIMAL ±	COMMENTS:		
		INTERPRET GEOMETRIC TOLERANCING PER:			
		MATERIAL			
		BOREAL FOREST PINE / SPRUCE			
NEXT ASSY	USED ON	FINISH			
		SAND TO 180 GRIT			
APPLICATION		DO NOT SCALE DRAWING			

<b>BOKE CONSULTING</b>		
TITLE: CROSS LAMINATED TIMBER DOOR 4" CENTER PANEL BOARD		
SIZE	DWG. NO.	REV
<b>A</b>	<b>A000137-S</b>	
SCALE: 1:5	WEIGHT:	SHEET 8 OF 8