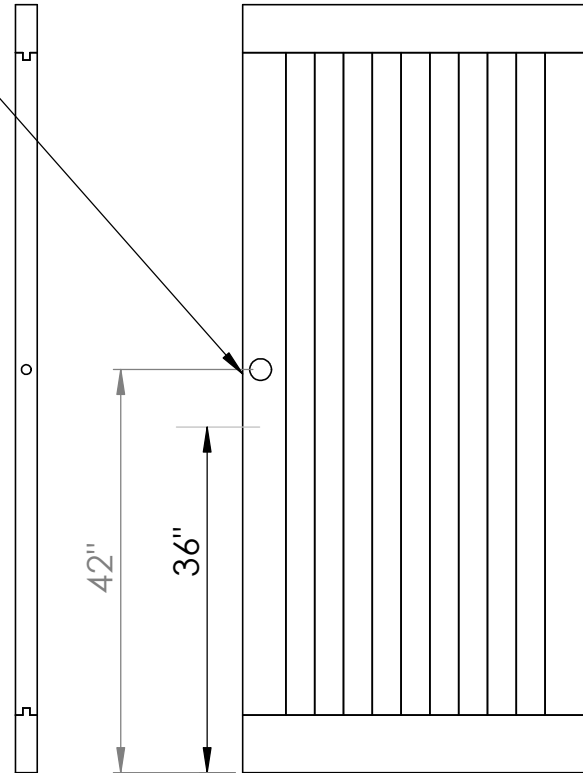


DOOR HANDLE AND DEADBOLT HEIGHT LOCATION



USE JIG FOR SOSS
INVISIBLE
HINGE MODEL 218 4
HINGES
USED CENTER OF HINGE
IS 6" FROM TOP OR
BOTTOM
OF DOOR 2 HINGES
EQUALITY
SPACED BETWEEN TOP
AND BOTTOM

SECONDARY HINGE
SPECIFICATION
COMMERCIAL GRADE
SELF CLOSING
INDICATIVE CRL 4" X 4"
DULL NICKEL
HEAVY DUTY SPRING
HINGE FINISH
SHOULD MATCH LATCH

OPTIONS
PEEPHOLE
DOOR KNOCKER
WOOD ROSETTE
ROUTER INCISED DESIGN
WOOD OR STONE INLAY

<p>PROPRIETARY AND CONFIDENTIAL THE INFORMATION CONTAINED IN THIS DRAWING IS THE SOLE PROPERTY OF <BOKE CONSULTING>. ANY REPRODUCTION IN PART OR AS A WHOLE WITHOUT THE WRITTEN PERMISSION OF <BOKE CONSULTING> IS PROHIBITED.</p>			UNLESS OTHERWISE SPECIFIED:		NAME	DATE	<p>BOKE CONSULTING</p> <p>TITLE: TONGUE & GROOVE DOOR HINGE, DEADBOLT, AND DOOR HANDLE LOCATION</p>		
			DIMENSIONS ARE IN INCHES TOLERANCES: FRACTIONAL ± ANGULAR: MACH ± BEND ± TWO PLACE DECIMAL ± THREE PLACE DECIMAL ±	DRAWN	AG	AUG 29/18			
			INTERPRET GEOMETRIC TOLERANCING PER:	CHECKED					
			MATERIAL	ENG APPR.					
	NEXT ASSY	USED ON	FINISH	MFG APPR.			SIZE	DWG. NO.	REV
				Q.A.			A	AG000600-1-S_ASM	
	APPLICATION		DO NOT SCALE DRAWING	<p>Art Gzebowski Machine Draftsman Engineering Designer T 204.396.2211 arthuriskil@gmail.com</p> <p>3D CAD MODELING BY ART user of Solidworks</p> <p>www.3dmodelingbyart.com</p>			SCALE: 1:20		SHEET 7A OF 7

2

1

B

B

ITEM NO.	PART NUMBER	DESCRIPTION	QTY.
1	A000127-S	2-1/4" X 4-1/2" X 69" STILE	2
2	A000128-S	2-1/4" X 5-3/4" X 36" TOP RAIL	1
3	A000129-S	2-1/4" X 6-3/4" X 36" BOTTOM RAIL	1
4	A000130-S	2-1/4" X 3-3/4" PANEL BOARD	8
5	A000131-S	2-1/4" X 4-1/2" X 69" PANEL CENTER BOARD	1

A

A

PROPRIETARY AND CONFIDENTIAL
 THE INFORMATION CONTAINED IN THIS DRAWING IS THE SOLE PROPERTY OF <BOKE CONSULTING>. ANY REPRODUCTION IN PART OR AS A WHOLE WITHOUT THE WRITTEN PERMISSION OF <BOKE CONSULTING> IS PROHIBITED.

		UNLESS OTHERWISE SPECIFIED:	NAME	DATE
		DIMENSIONS ARE IN INCHES	DRAWN	AG
		TOLERANCES:	CHECKED	AUG 22/18
		FRACTIONAL ±	ENG APPR.	
		ANGULAR: MACH ± BEND ±	MFG APPR.	
		TWO PLACE DECIMAL ±	Q.A.	
		THREE PLACE DECIMAL ±		
		INTERPRET GEOMETRIC TOLERANCING PER:	Art Gzebowski Certified Machine Draftsman Engineering Designer T 204 395 2211 arthuriski@gmail.com 3D CAD MODELING BY ART user of Solidworks www.3dmodelingbyart.com	
NEXT ASSY	USED ON		SIZE	DWG. NO.
			A	AG000600-S_asm
APPLICATION	DO NOT SCALE DRAWING		SCALE: 1:20	WEIGHT:

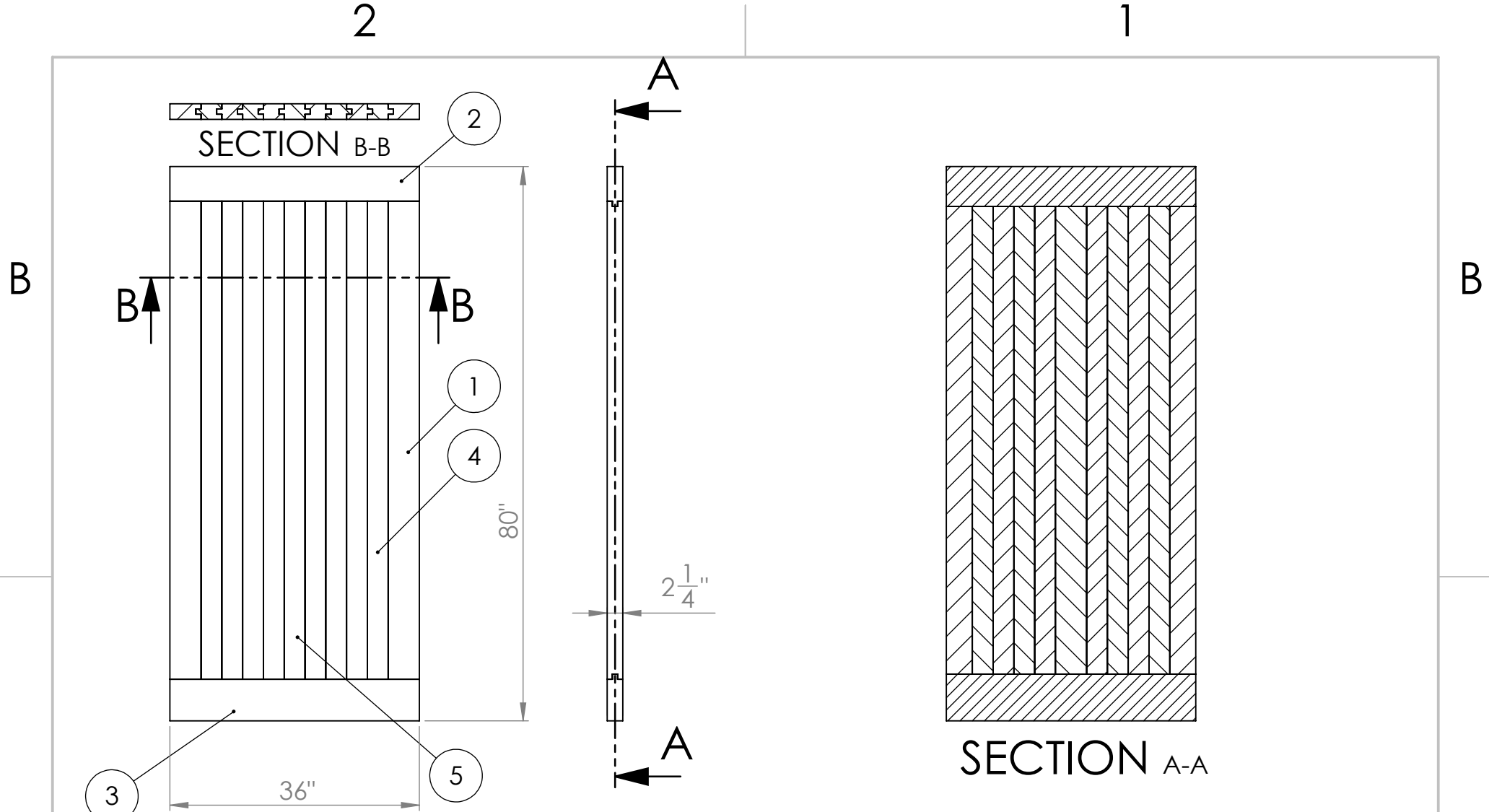
BOKE CONSULTING

TITLE:
**TONGUE & GROOVE DOOR
BILL OF MATERIALS**

REV
SCALE: 1:20 WEIGHT: SHEET 2 OF 7

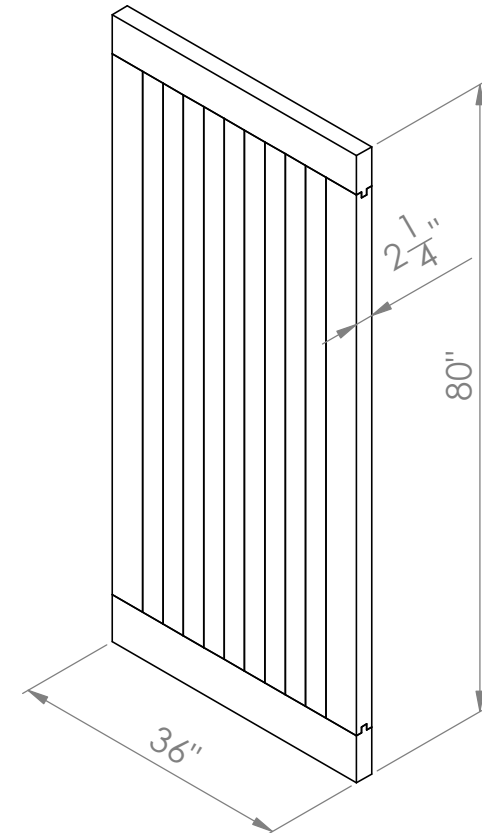
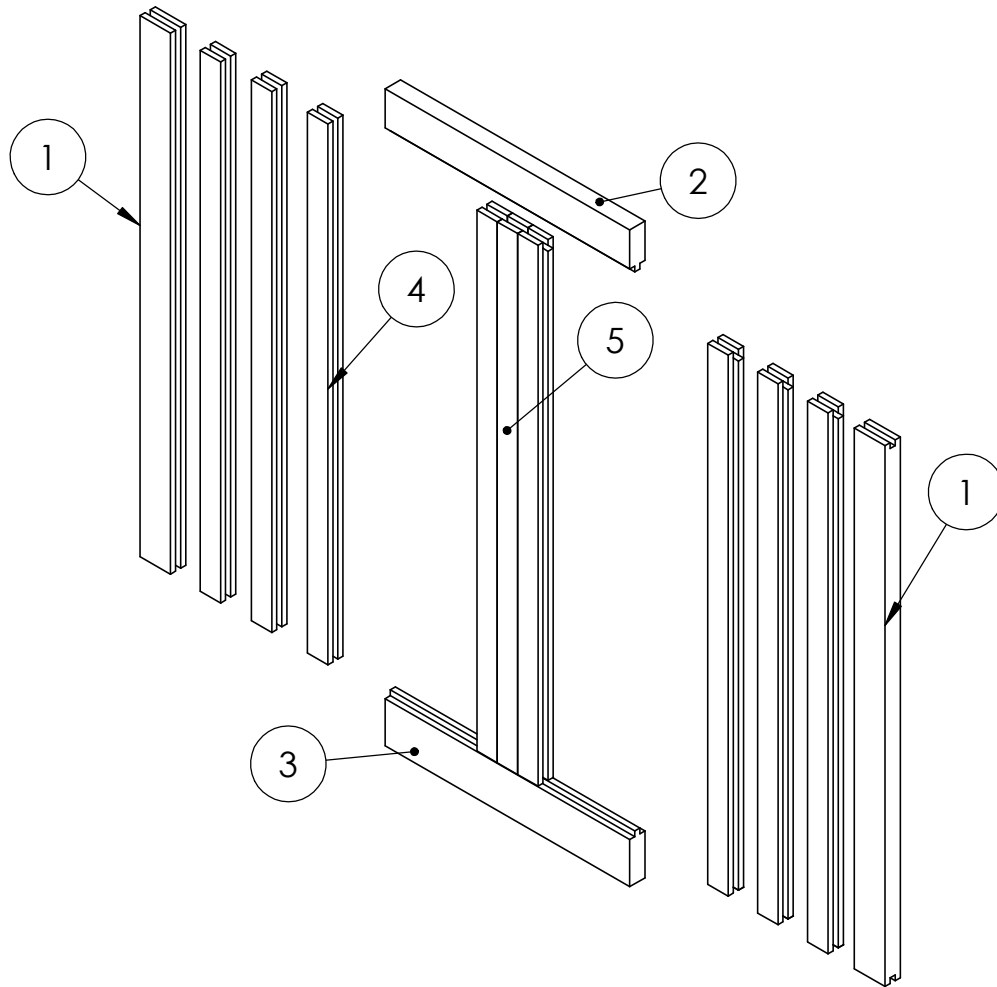
2

1



<p>PROPRIETARY AND CONFIDENTIAL</p> <p>THE INFORMATION CONTAINED IN THIS DRAWING IS THE SOLE PROPERTY OF <BOKE CONSULTING>. ANY REPRODUCTION IN PART OR AS A WHOLE WITHOUT THE WRITTEN PERMISSION OF <BOKE CONSULTING> IS PROHIBITED.</p>			UNLESS OTHERWISE SPECIFIED:		NAME	DATE	<p>BOKE CONSULTING</p> <p>TITLE: TONGUE & GROOVE DOOR ASSY. DETAIL</p>		
			DIMENSIONS ARE IN INCHES TOLERANCES: FRACTIONAL ± 1/32" ANGULAR: MACH ± BEND ± TWO PLACE DECIMAL ± THREE PLACE DECIMAL ±	DRAWN	AG	AUG 22/18			
			INTERPRET GEOMETRIC TOLERANCING PER:	CHECKED					
			MATERIAL BOREAL FOREST PINE / SPRUCE	ENG APPR.					
	NEXT ASSY	USED ON	FINISH SAND TO 180 GRIT FOR PAINT	MFG APPR.			SIZE	DWG. NO.	REV
		APPLICATION	DO NOT SCALE DRAWING	Q.A.			A	AG000600-S_asm	
				<p>Art Gzebowski Machine Draftsman Engineering Designer T 204 395 2211 arthuriski@gmail.com</p> <p>3D CAD MODELING BY ART user of Solidworks</p> <p>www.3dmodelingbyart.com</p>			SCALE: 1:20	WEIGHT:	SHEET 1 OF 7

B



B

A

		UNLESS OTHERWISE SPECIFIED:		NAME	DATE	BOKE CONSULTING	
		DIMENSIONS ARE IN INCHES TOLERANCES: FRACTIONAL $\pm 1/32"$ ANGULAR: MACH \pm BEND \pm TWO PLACE DECIMAL \pm THREE PLACE DECIMAL \pm		DRAWN	AG		
		INTERPRET GEOMETRIC TOLERANCING PER:		CHECKED			TITLE: TONGUE & GROOVE DOOR ASSY. EXPLODED VIEW
		MATERIAL BOREAL FOREST PINE / SPRUCE		ENG APPR.			
		FINISH FINISH SAND TO 180 GRIT		MFG APPR.			SIZE DWG. NO. REV A AG000600-SX_ASM
NEXT ASSY	USED ON			Q.A.			
APPLICATION		DO NOT SCALE DRAWING		Art Gzebowski Machine Draftsman Engineering Designer <small>Certified</small> T 204 396 2211 arthuriski@gmail.com 3D CAD MODELING BY ART user of Solidworks www.3dmodelingbyart.com		SCALE: 1:20	
						SHEET 7B OF 7	

A

2

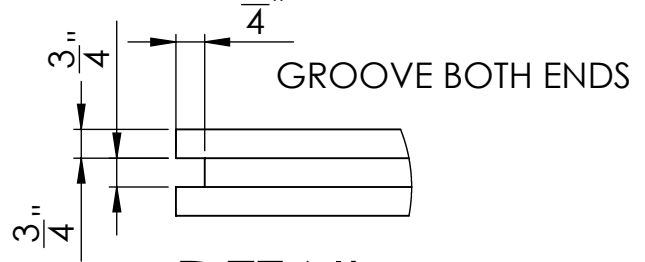
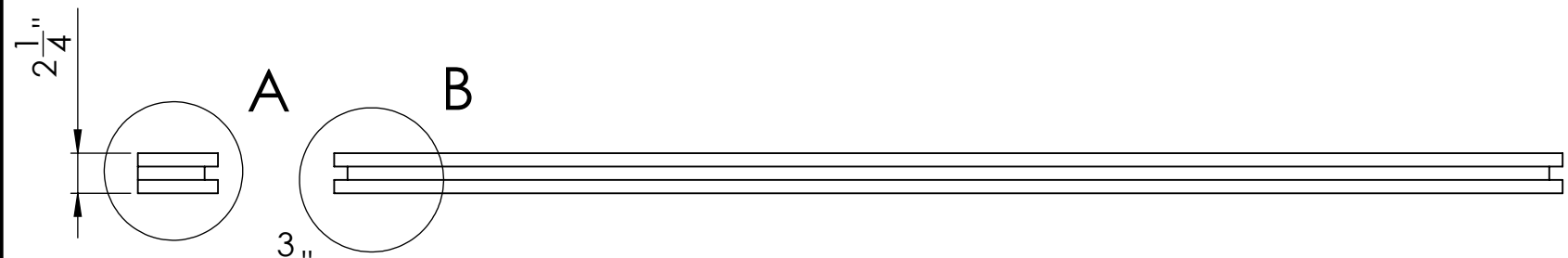
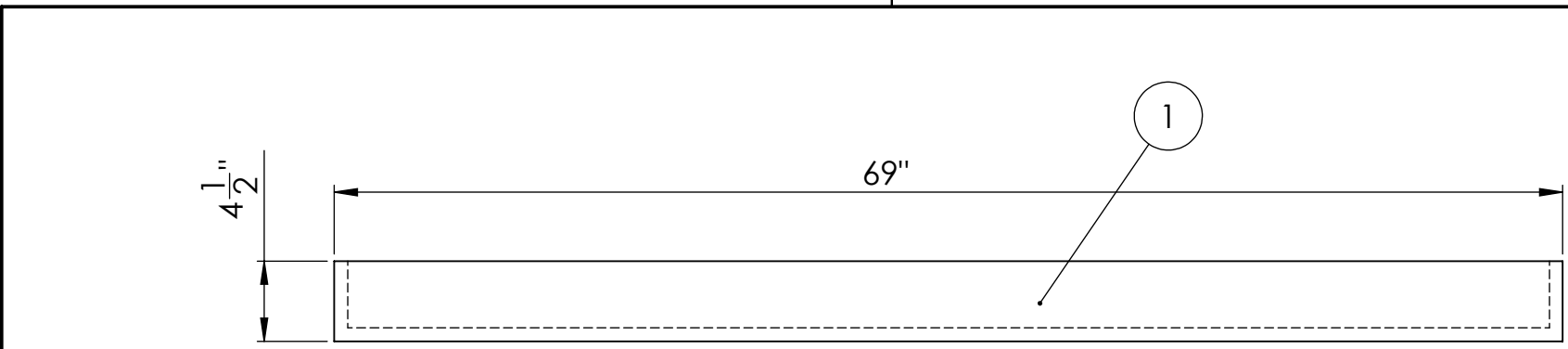
1

PROPRIETARY AND CONFIDENTIAL
 THE INFORMATION CONTAINED IN THIS DRAWING IS THE SOLE PROPERTY OF <BOKE CONSULTING>. ANY REPRODUCTION IN PART OR AS A WHOLE WITHOUT THE WRITTEN PERMISSION OF <BOKE CONSULTING> IS PROHIBITED.

2 1

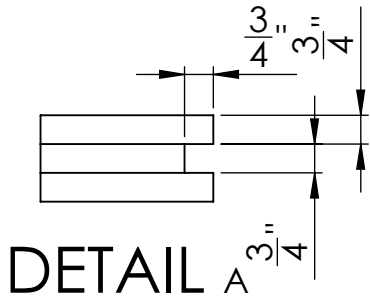
B

B



DETAIL B
SCALE 1 : 5

2 PCS. REQ.



DETAIL A
SCALE 1 : 5

A

A

PROPRIETARY AND CONFIDENTIAL
THE INFORMATION CONTAINED IN THIS DRAWING IS THE SOLE PROPERTY OF <BOKE CONSULTING>. ANY REPRODUCTION IN PART OR AS A WHOLE WITHOUT THE WRITTEN PERMISSION OF <BOKE CONSULTING> IS PROHIBITED.

		UNLESS OTHERWISE SPECIFIED:		NAME	DATE
		DIMENSIONS ARE IN INCHES	DRAWN	AG	AUG 22/18
		TOLERANCES:	CHECKED		
		FRACTIONAL +1/32" -0 GROOVE	ENG APPR.		
		ANGULAR: MACH ± BEND ±	MFG APPR.		
		TWO PLACE DECIMAL ±	Q.A.		
		THREE PLACE DECIMAL ±	COMMENTS:		
		INTERPRET GEOMETRIC TOLERANCING PER:			
		MATERIAL			
		BOREAL FOREST PINE / SPRUCE			
	NEXT ASSY	USED ON			
		FINISH			
		SAND TO 180 GRIT			
	APPLICATION	DO NOT SCALE DRAWING			

BOKE CONSULTING		
TITLE: TONGUE & GROOVE DOOR STILE		
SIZE	DWG. NO.	REV
A	A000127-S	
SCALE: 1:10	WEIGHT:	SHEET 3 OF 7

2

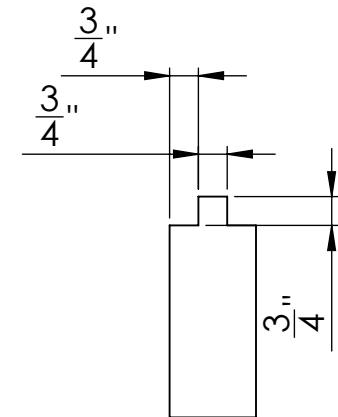
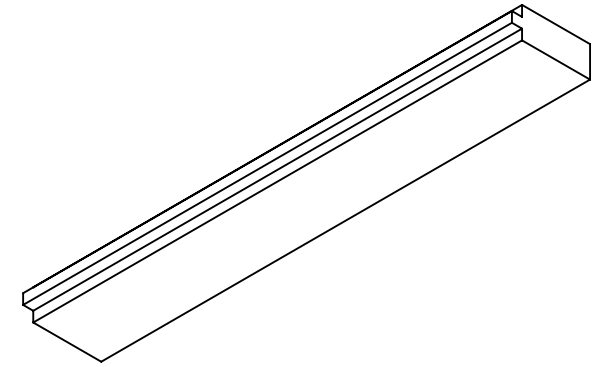
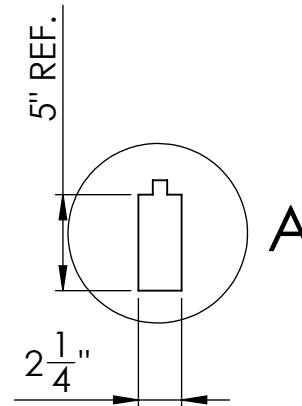
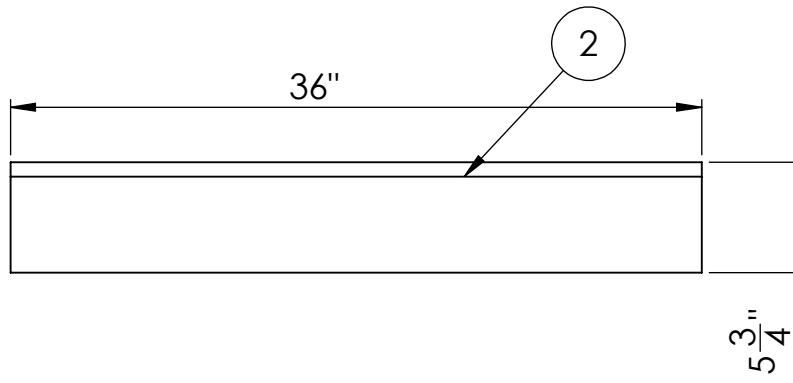
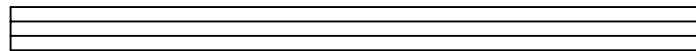
1

B

2

1

B



1 PCS. REQ.

DETAIL A

SCALE 1 : 5

A

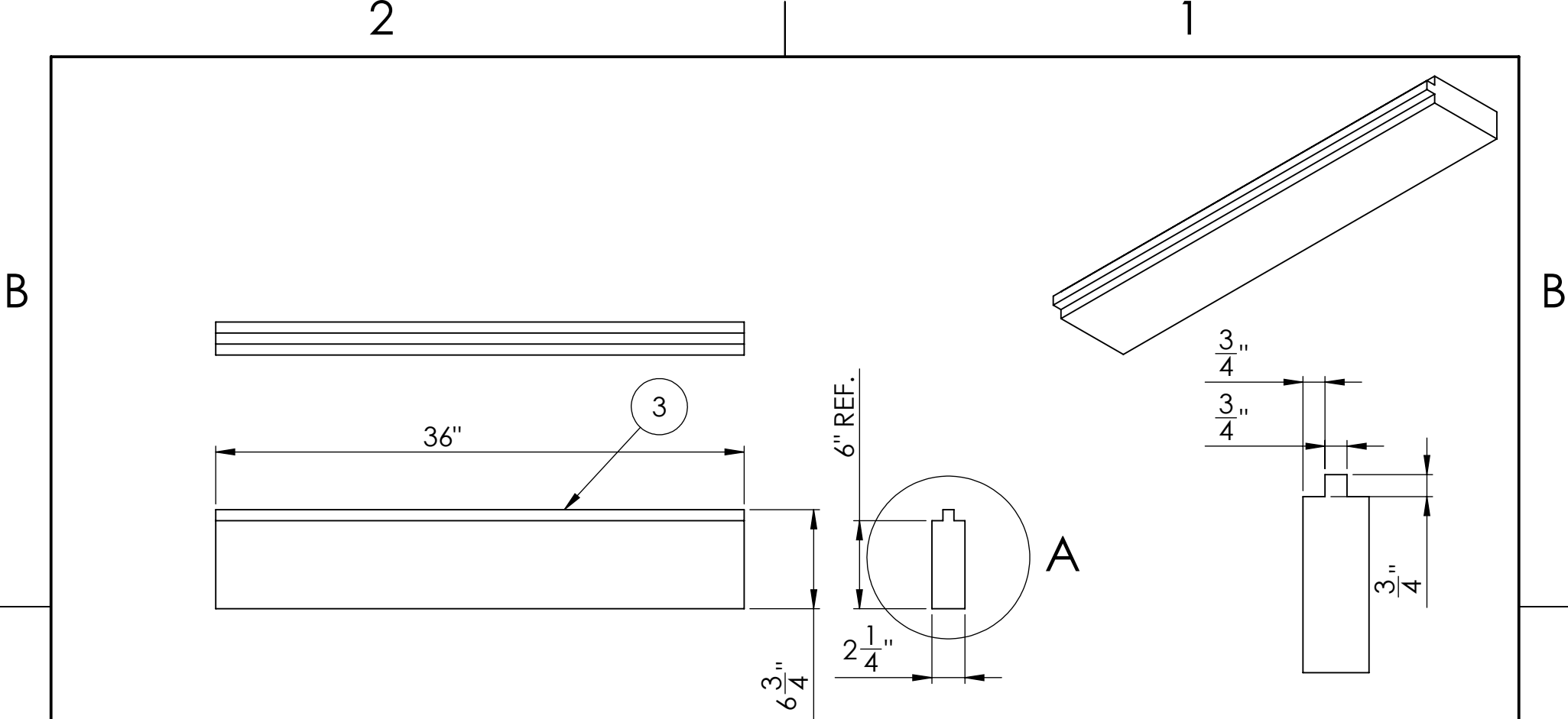
A

PROPRIETARY AND CONFIDENTIAL
 THE INFORMATION CONTAINED IN THIS DRAWING IS THE SOLE PROPERTY OF <BOKE CONSULTING>. ANY REPRODUCTION IN PART OR AS A WHOLE WITHOUT THE WRITTEN PERMISSION OF <BOKE CONSULTING> IS PROHIBITED.

		UNLESS OTHERWISE SPECIFIED:		NAME	DATE	BOKE CONSULTING	
		DIMENSIONS ARE IN INCHES	DRAWN	AG	AUG 22/18	TITLE:	
		TOLERANCES:	CHECKED			TONGUE & GROOVE DOOR TOP RAIL	
		FRACTIONAL +0 - 1/32" TONGUE	ENG APPR.			SIZE	
		ANGULAR: MACH ± BEND ±	MFG APPR.			DWG. NO.	
		TWO PLACE DECIMAL ±	Q.A.			REV	
		THREE PLACE DECIMAL ±	COMMENTS:			A A000128-S	
		INTERPRET GEOMETRIC TOLERANCING PER:				SCALE: 1:10	WEIGHT:
		MATERIAL				SHEET 4 OF 7	
		BOREAL FOREST PINE / SPRUCE					
	NEXT ASSY	USED ON					
		FINISH					
		SAND TO 180 GRIT					
	APPLICATION		DO NOT SCALE DRAWING				

2

1



1 PCS. REQ.

DETAIL A
SCALE 1 : 5

<p>PROPRIETARY AND CONFIDENTIAL</p> <p>THE INFORMATION CONTAINED IN THIS DRAWING IS THE SOLE PROPERTY OF <BOKE CONSULTING>. ANY REPRODUCTION IN PART OR AS A WHOLE WITHOUT THE WRITTEN PERMISSION OF <BOKE CONSULTING> IS PROHIBITED.</p>			UNLESS OTHERWISE SPECIFIED:		NAME	DATE	<p>BOKE CONSULTING</p> <p>TITLE: TONGUE & GROOVE DOOR BOTTOM RAIL/ KICK PLATE</p>		
			DIMENSIONS ARE IN INCHES TOLERANCES: FRACTIONAL +0 -1/32" TONGUE ANGULAR: MACH ± BEND ± TWO PLACE DECIMAL ± THREE PLACE DECIMAL ±	DRAWN	AG	AUG 22/18			
			INTERPRET GEOMETRIC TOLERANCING PER:	CHECKED					
			MATERIAL BOREAL FOREST PINE / SPRUCE	ENG APPR.					
			FINISH SAND TO 180 GRIT	MFG APPR.					
	NEXT ASSY	USED ON		Q.A.			SIZE	DWG. NO.	REV
	APPLICATION		DO NOT SCALE DRAWING	COMMENTS:			A	A000129-S	
							SCALE: 1:10	WEIGHT:	SHEET 5 OF 7

B

B

A

A

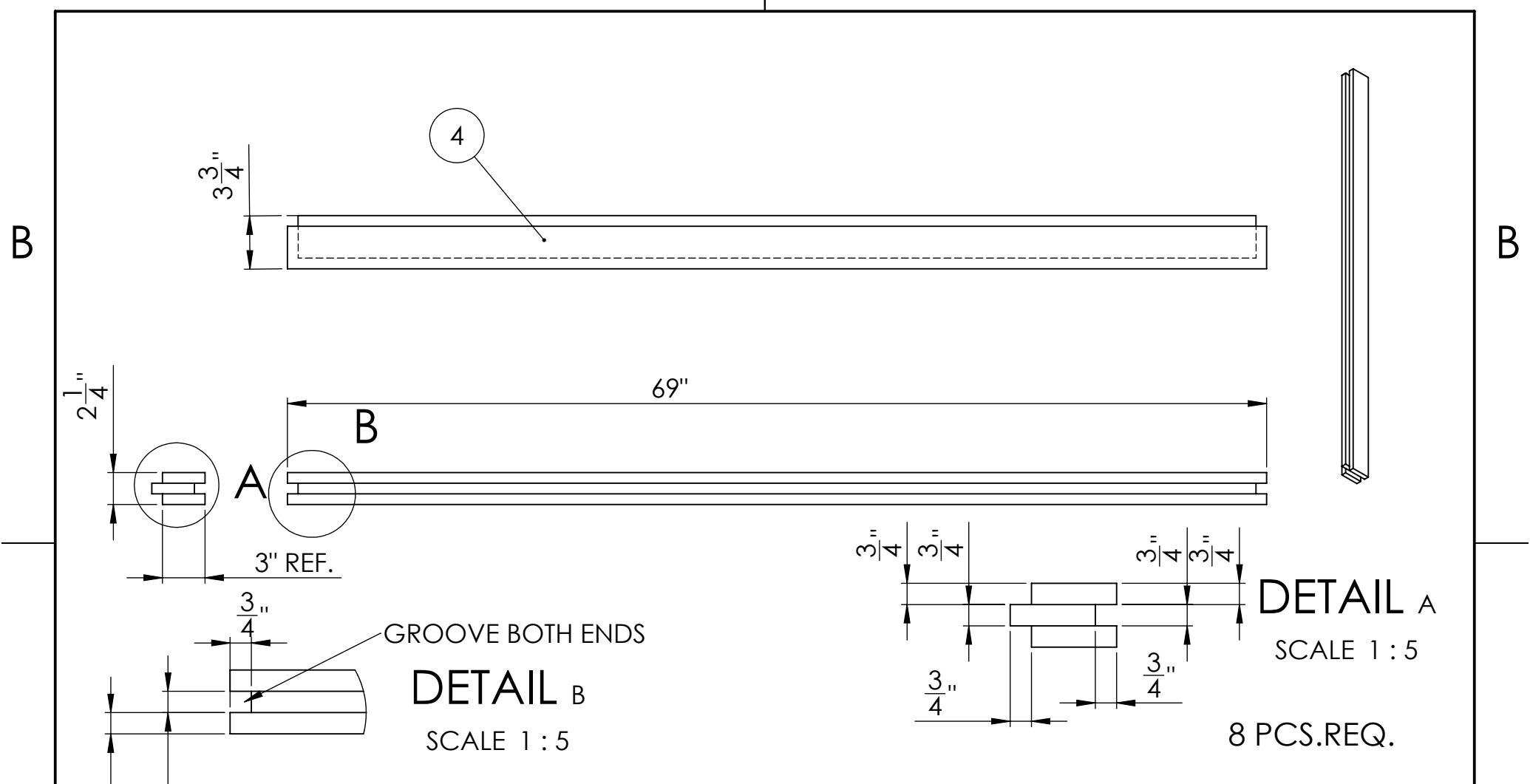
2

1

2

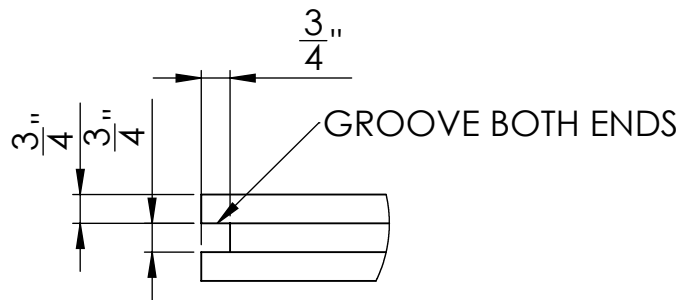
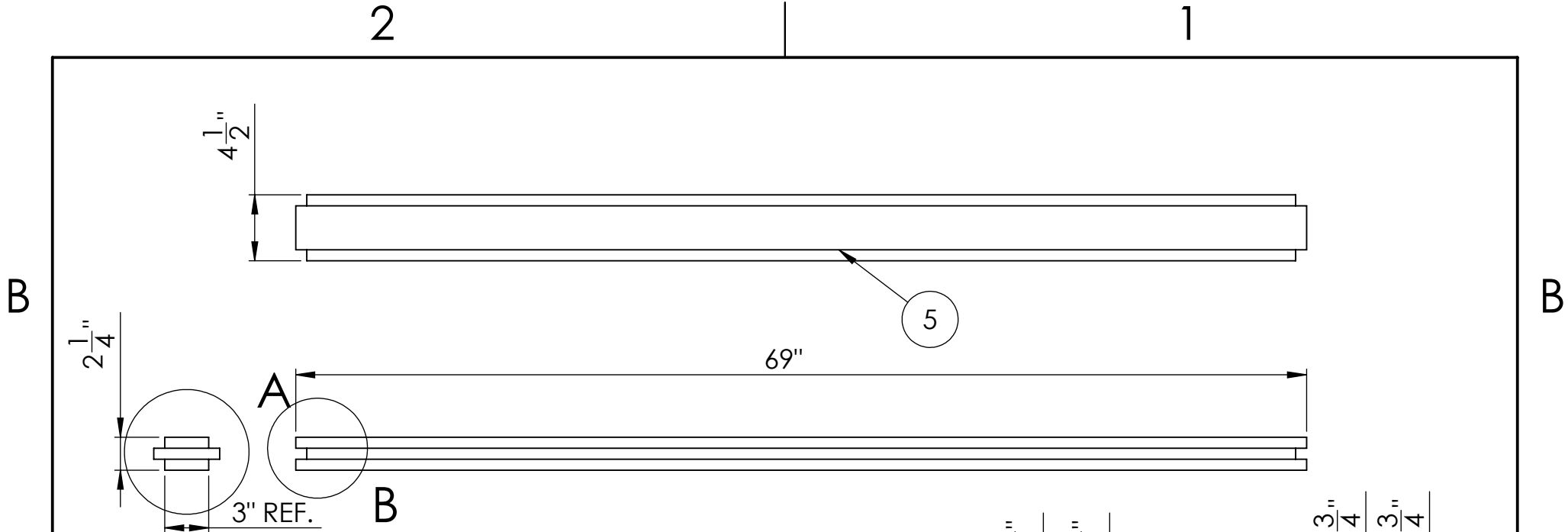
1

2 1



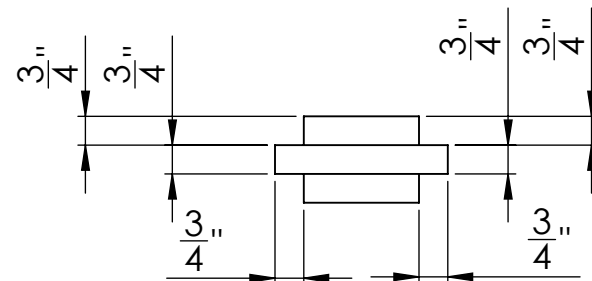
<p>PROPRIETARY AND CONFIDENTIAL</p> <p>THE INFORMATION CONTAINED IN THIS DRAWING IS THE SOLE PROPERTY OF <BOKE CONSULTING>. ANY REPRODUCTION IN PART OR AS A WHOLE WITHOUT THE WRITTEN PERMISSION OF <BOKE CONSULTING> IS PROHIBITED.</p>			UNLESS OTHERWISE SPECIFIED:		NAME	DATE	<p>BOKE CONSULTING</p> <p>TITLE: TONGUE & GROOVE DOOR PANEL BOARD</p>		
			DIMENSIONS ARE IN INCHES TOLERANCES: FRACTIONAL TONGUE +0 -1/32" GROOVE +1/32" -0	DRAWN	AG	AUG 22/18			
			INTERPRET GEOMETRIC TOLERANCING PER:	CHECKED					
			MATERIAL BOEAL FOREST PINE / SPRUCE	ENG APPR.					
			FINISH SAND TO 180 GRIT	MFG APPR.					
	NEXT ASSY	USED ON		Q.A.			SIZE	DWG. NO.	REV
		APPLICATION	DO NOT SCALE DRAWING	COMMENTS:			A	A000130-S	
							SCALE: 1:10	WEIGHT:	SHEET 6 OF 7

2 1



DETAIL B

SCALE 1 : 5



DETAIL A

SCALE 1 : 5

1 PCS.REQ.

PROPRIETARY AND CONFIDENTIAL
 THE INFORMATION CONTAINED IN THIS DRAWING IS THE SOLE PROPERTY OF <BOKE CONSULTING>. ANY REPRODUCTION IN PART OR AS A WHOLE WITHOUT THE WRITTEN PERMISSION OF <BOKE CONSULTING> IS PROHIBITED.

		UNLESS OTHERWISE SPECIFIED:		NAME	DATE
		DIMENSIONS ARE IN INCHES	DRAWN	AG	AUG 22/18
		TOLERANCES:	CHECKED		
		FRACTIONAL +0 -1/32" TONGUES	ENG APPR.		
		ANGULAR: MACH ± BEND ±	MFG APPR.		
		TWO PLACE DECIMAL ±	Q.A.		
		THREE PLACE DECIMAL ±	COMMENTS:		
		INTERPRET GEOMETRIC TOLERANCING PER:			
		MATERIAL			
		BOREAL FOREST PINE / SPRUCE			
	NEXT ASSY	USED ON			
		FINISH			
		SAND TO 180 GRIT			
	APPLICATION		DO NOT SCALE DRAWING		

BOKE CONSULTING		
TITLE: TONGUE & GROOVE DOOR PANEL CENTER BOARD		
SIZE	DWG. NO.	REV
A	A000131-S	
SCALE: 1:10	WEIGHT:	SHEET 7 OF 7

A

A

2

1